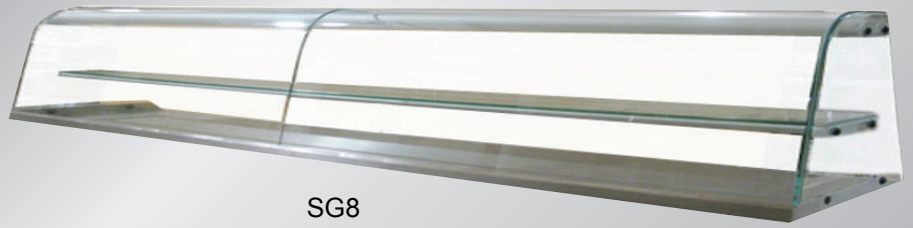
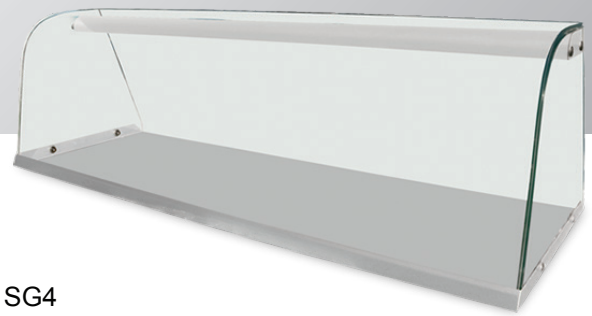


SG Curved Glass

**SNEEZE GUARD
COUNTER TOP MULTI-USE
DRY DISPLAY**



SG8



SG4

Standard Features

- Curved front glass
- Removable glass shelf

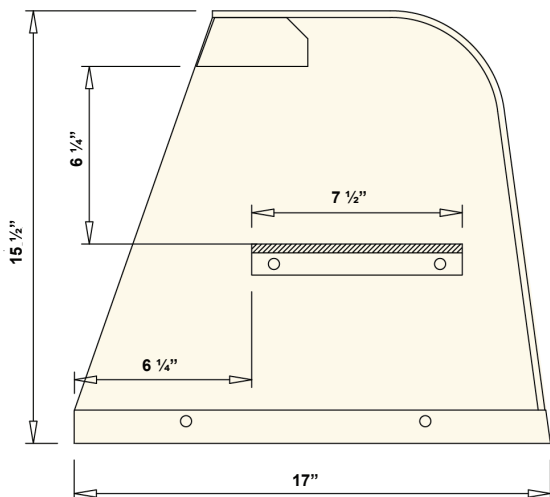
Options

- Exterior area painted steel
 - Multiple colours available
- Anodised aluminum profile colours available in gold or silver

Aluminum profile colours



Technical Drawing



Dimensions

Model	Dimension W x D x H	Weight (lbs / kg)
SG4	47 3/4" x 17" x 15 1/2"	66 / 30
SG6	71 3/4" x 17" x 15 1/2"	93 / 42

Voltage

- N/A

* Specifications are subject to change without notice.

**All measurements are approximates.

***All equipment are designed to operate in a controlled environment below 75°F (+24°C) temperature and HR 55% relative humidity.