

### SANWD90-OUT

Wooden Case, Self Contained

**OUTWARD REFRIGERATED CORNER  
DELI/MEAT/CHEESE/SALAD  
CASE MATCHING W/ SANWD**



SANWD90-OUT

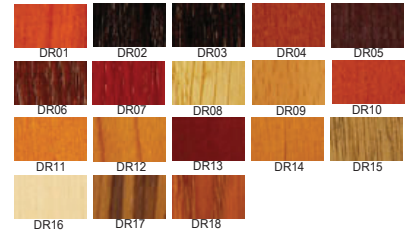
#### Standard Features

- Cherry wood finish
- Internal cooling aggregate
- Static cooling
- Ecological polyurethane foam insulation
- Display area made of stainless steel
- Storage chamber made of stainless steel
- Storage chamber back doors - hinged
- Grey granite worktop (thickness 20 mm)
- Curved front glass - telescopic lifting system
- Night screens made of plexi glass
- Lamp with LED light
- Device leveling legs
- Automatic defrost system

#### Options

- Remote compressor
- Possibility of multiplexing
- Variety of wood finishes

#### Wood veneer



#### Granite colours



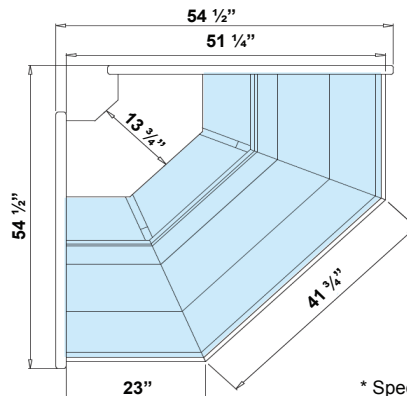
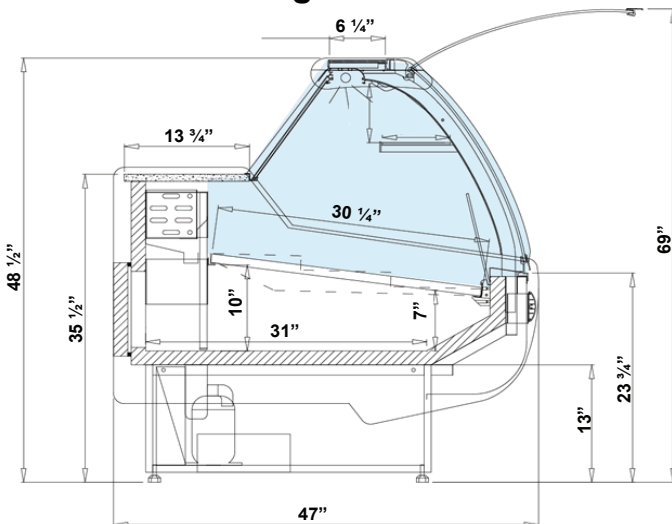
#### Aluminum profile colours



#### Dimensions

Model	Dimension W x D x H	Weight (lbs / kg)
SANWD90-OUT	54 1/2" x 54 1/2" x 48 1/2"	386 / 175

#### Technical Drawings



\*\*\*All equipment are designed to operate in a controlled environment below 75°F (+24°C) temperature and HR 55% relative humidity.

#### Voltage

- 115V | 1ph | 60 Hz | 8A, max. fuse: 15A

\* Specifications are subject to change without notice.

\*\*All measurements are approximates.