

HFTD Heated Unit

DELUXE HOT FOOD SHOW CASE W/ CURVED FRONT GLASS

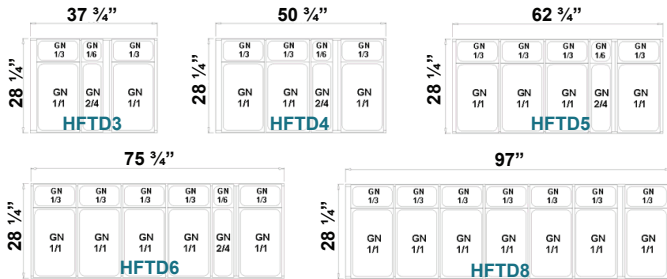


HFTD6

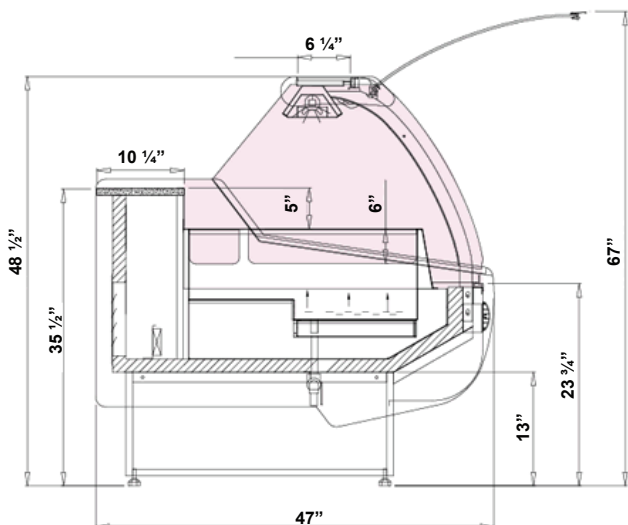
Standard Features

- Curved front glass
- Granite work counter
- Body white finish
- Illuminated display area
- Thermostat heat control
- Working Temperature: +30°C to +90°C

Technical Drawings



*Pans not included in price



Options

- Other colors available
- Internal frame painted silver or gold

Granite colors



Aluminum profiles colors



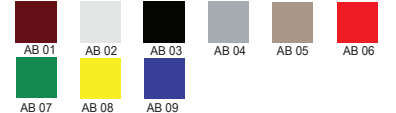
Metal elements colors



Plastic bumpers colors



Plastic sides colors



Dimensions

Model	Dimension W x D x H	Weight (lbs / kg)
HFTD3	41" x 47" x 48 1/2"	375 / 170
HFTD4	54" x 47" x 48 1/2"	463 / 210
HFTD5	65 3/4" x 47" x 48 1/2"	551 / 250
HFTD6	78 3/4" x 47" x 48 1/2"	672 / 305
HFTD8	100" x 47" x 48 1/2"	789 / 358

Voltage

- HFTD3 : 115V,220V / 1ph / 60 Hz / 10A, max. fuse: 15A
- HFTD4 : 115V,220V / 1ph / 60 Hz / 13A, max. fuse: 15A
- HFTD5 : 115V,220V / 1ph / 60 Hz / 17A, max. fuse: 25A
- HFTD6 : 115V,220V / 1ph / 60 Hz / 20A, max. fuse: 25A
- HFTD8 : 115V,220V / 1ph / 60 Hz / 25A, max. fuse: 30A

* Specifications are subject to change without notice.

**All measurements are approximates.

***All equipment designed to operate in controlled environment below 75°F (+24°C) temperature and HR 55% relative humidity.