

HDCD Heated Unit

COUNTERTOP CURVED FRONT GLASS WARM DISPLAY CASE



HDCD2

Standard Features

- Warm air circulation
- External housing made of acid-resistant stainless steel
- Exposition area made of acid-resistant stainless steel, prepared for GN containers
- Exposition shelf made of acid-resistant stainless steel
- Curved front glass openable
- Night blinds made of polycarbonate (from staff side)
- Lamp with LED light (confectionery color)
- Temperature regulator
- Dry or wet heating

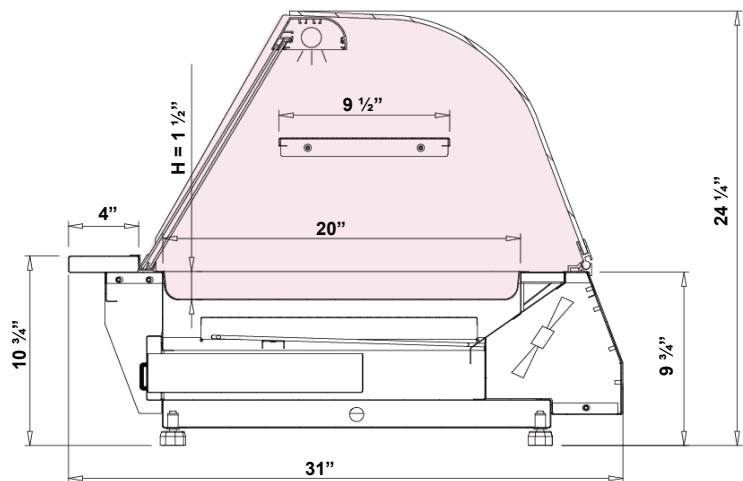
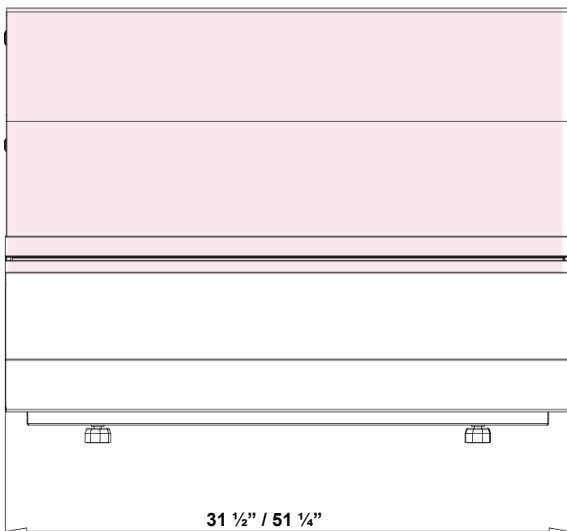
Dimensions

Model	Dimension W x D x H	Weight (lbs / kg)
HDCD2	31 1/2" x 31" x 24 1/4"	110 / 50
HDCD3	51 1/4" x 31" x 24 1/4"	165 / 75

Voltage

- HDCD2 : 115V / 1ph / 60 Hz / 11A, max. fuse: 15A
- HDCD3 : 115V / 1ph / 60 Hz / 12A, max. fuse: 15A

Technical Drawings



* Specifications are subject to change without notice.

**All measurements are approximates.

***All equipment designed to operate in controlled environment below 75°F (+24°C) temperature and HR 55% relative humidity.