

C2UROMP 2 Shelf

OPEN DISPLAY MERCHANDISER



C2UROMP3

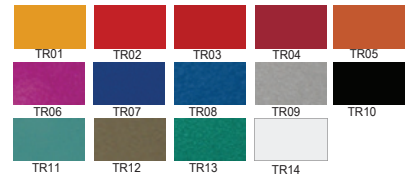
Standard Features

- Internal cooling aggregate
- Dynamic cooling (ventilated) system
- Ecological polyurethane foam insulation
- Upper interior lighting + additional illumination of each shelf - LED lights
- 2 pcs of glass shelves with height and angle adjustment placed on the frame
- Automatic defrost system
- Automatic condenser vaporization
- Electronic temperature controller with digital display
- Condenser impurity or fan operation failure alarm

Options

- Other colours available
- Option of multiplexing
- Internal frame available in silver or gold

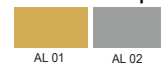
Trend colours



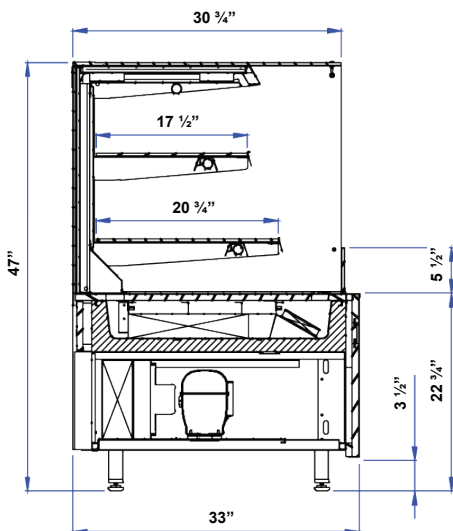
Metal element colours



Aluminum profile colours



Technical Drawing



Dimensions

Model	Dimension W x D x H	Weight (lbs / kg)
C2UROMP2	24" x 33" x 47"	-
C2UROMP3	36" x 33" x 47"	-
C2UROMP4	51 1/2" x 33" x 47"	-

* Customizable options available

* Multiple sizes available

Voltage

- C2UROMP2,3 : 115V / 1ph / 60 Hz
- C2UROMP4 : 115V / 1ph / 60 Hz

* Specifications are subject to change without notice.

**All measurements are approximates.

***All equipment are designed to operate in a controlled environment below 75°F (+24°C) temperature and HR 55% relative humidity.