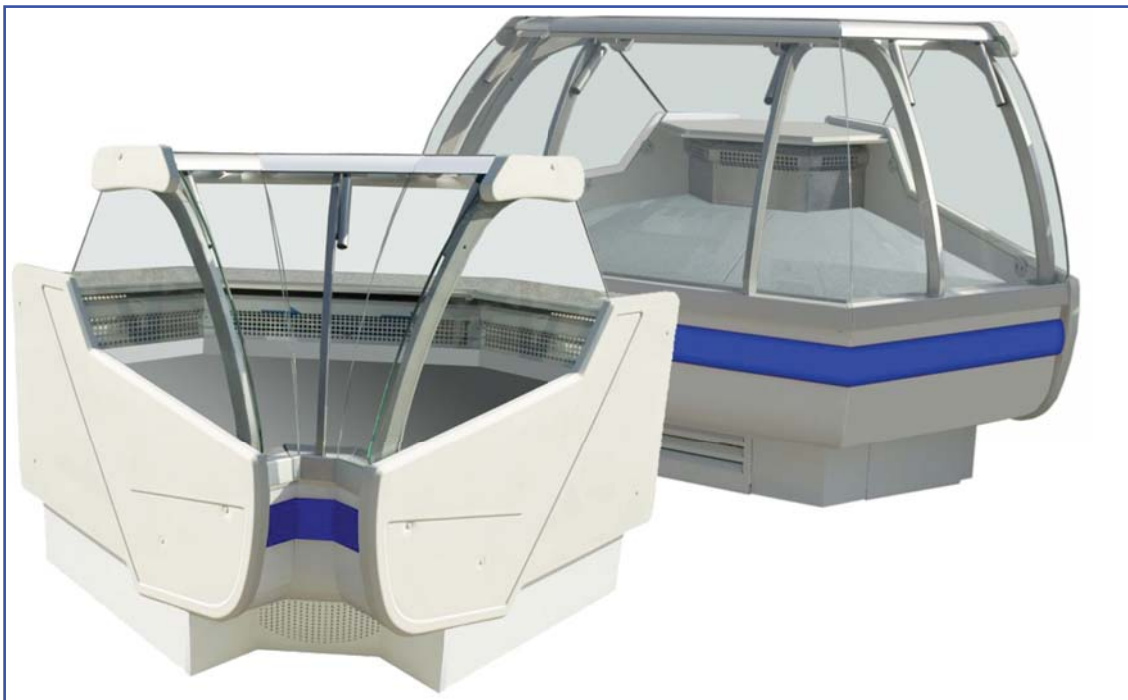


IGLOO Refrigeration Ltd

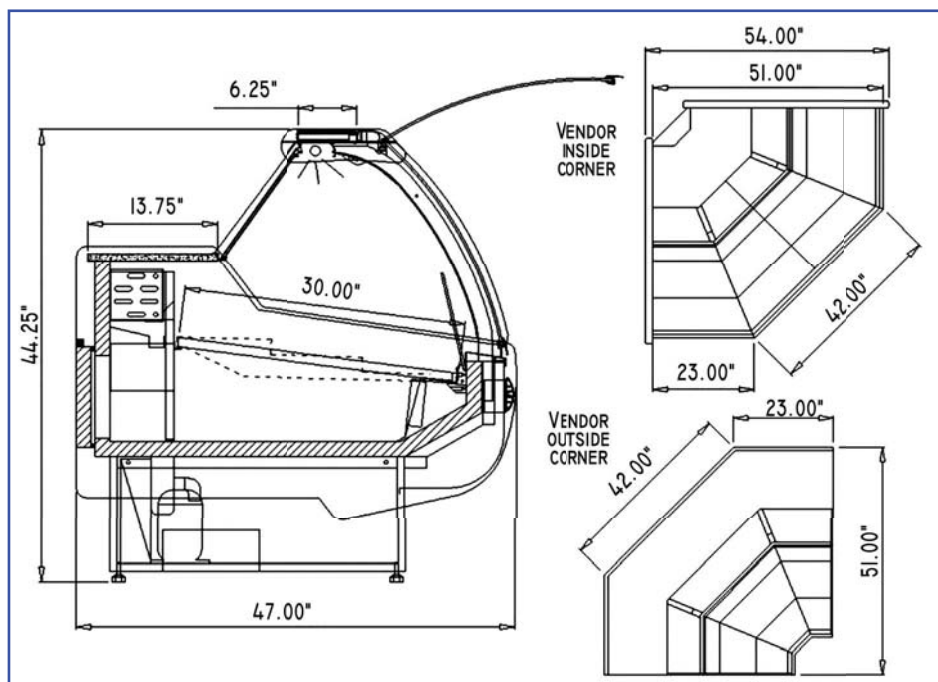
9379 TRANSCANADIENNE - VOIE DE SERVICE NORD MONTREAL QUEBEC H4S 1V3 CANADA
TEL: 514.344.5555 TOLL FREE: 1.866.804.4566 FAX: 514.344.2861

REFRIGERATED MULTI PURPOSE DISPLAY CASE CORNER UNIT FOR SAN AND SANF



STANDARD:

- Curved glass front glass
- Remote compressor
- Forced air cooling
- Temperature range: 0 °C and up



* All equipment designed to operate in controlled environment below 75°F (+24°C) temperature and HR 55% relative humidity.

** All measurements are approximates

*** Specifications are subject to change without notice

Web: www.igloorefrigeration.com