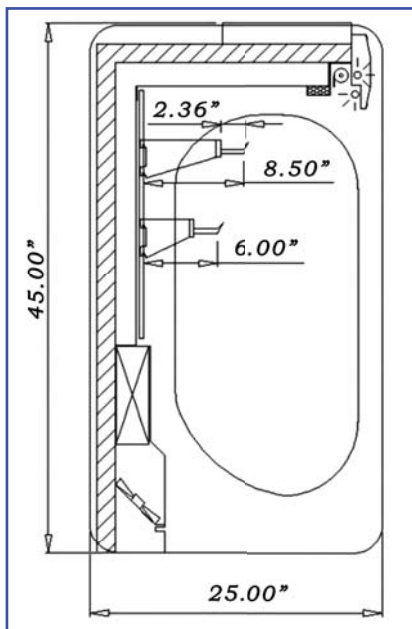


IGLOO Refrigeration Ltd

9379 TRANSCANADIENNE - VOIE DE SERVICE NORD MONTREAL QUEBEC H4S 1V3 CANADA
 TEL: 514.344.5555 TOLL FREE: 1.866.804.4566 FAX: 514.344.2861

OPEN WALL MERCHANDISER DELI MEATS, SAUSAGES, SALAMI, SMOKED MEAT AND CHEESE



STANDARD:

- Solid sides
- Forced air cooling system
- 3 rows of stainless-steel hooks or shelves
- Night curtain
- Digital temperature display
- Illuminated top panel
- Case only (no compressor)

OPTIONAL:

- Possibility of multiplexing
- Choice of light cover colours
(white, green, blue, red or yellow)
- Variety of finished colors

MODEL	LENGTH	DEPTH	HEIGHT	VOLTAGE	WEIGHT
	In./cm	In./cm	In./cm		Lbs/Kg
OWM1	79 / 201	28 / 70	48 / 120	115V 60Hz 2A	350 / 160
OWM2	100 / 254	28 / 70	48 / 120	115V 60Hz 3A	400 / 182

NOTE: CASE ONLY; COMPRESSOR SIZE DEPENDS ON LOCATION

* All equipment designed to operate in controlled environment below 75°F (+24°C) temperature and HR 55% relative humidity.

** All measurements are approximates

*** Specifications are subject to change without notice

Web: www.igloorefrigeration.com