

IGLOO Refrigeration Ltd

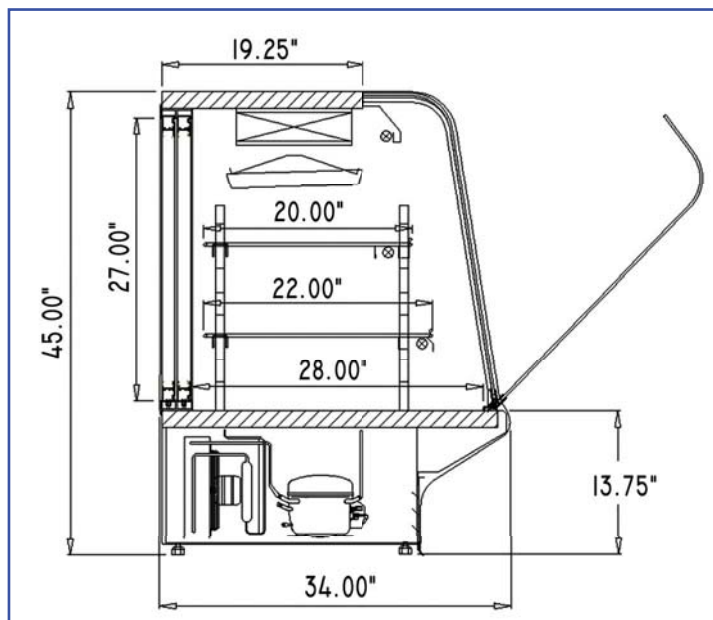
9379 TRANSCANADIENNE - VOIE DE SERVICE NORD MONTREAL QUEBEC H4S 1V3 CANADA
 TEL: 514.344.5555 TOLL FREE: 1.866.804.4566 FAX: 514.344.2861

MULTI-USE CASE – REFRIGERATED PASTRY, DELI, CHEESE, ETC



STANDARD:

- Curved glass front glass
- Lights on all shelves
- Adjustable and removable wire shelves
- Interior stainless-steel finish
- ABS sides – (off-white)
- Stainless-steel top counter
- Painted white front and back
- Front glass defogging system
(self-contained case only)
- Gravity cooling system
- Electronic programmable temperature
- Digital temperature display
- Automatic defrost cycle
- Automatic condensation disposal
- Self-closing doors on stainless steel rails
- Self-contained case
- Environment friendly R134a



OPTIONAL:

- Remote compressor
- Custom colours of ABS sides
- Stainless-steel front and back
- Dry (non refrigerated) cases available

MODEL	LENGTH	DEPTH	HEIGHT	VOLTAGE	WEIGHT
	In./cm	In./cm	In./cm		Lbs/Kg
JSCR4	51 / 129	33 / 85	44 / 113	115V 60Hz 8A	330 / 150
JSCR6	75 / 190	33 / 85	44 / 113	115V 60Hz 8A	441 / 200
JSCR8	99 / 252	33 / 85	44 / 113	115V 60Hz 15A	617 / 280

* All equipment designed to operate in controlled environment below 75°F (+24°C) temperature and HR 55% relative humidity.

** All measurements are approximates

*** Specifications are subject to change without notice

Web: www.igloorefrigeration.com