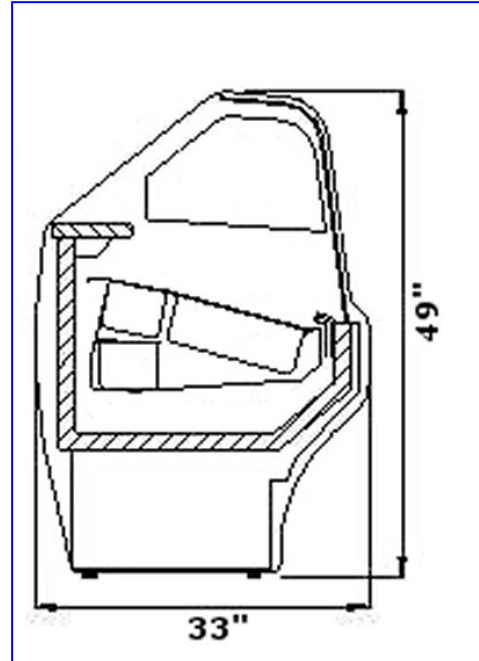


IGLOO *Refrigeration Ltd.*

59 ALNESS STREET UNIT 3 TORONTO ONTARIO CANADA M3J 2H2
 TEL: 416 - 663 - 3051 TOLL FREE: 1 - 888 - 408 - 8819 FAX: 416 - 663 - 5793

GELATO ICE-CREAM FREEZER



STANDARD:

- *Curved European style front glass*
- *Automatic defrosting*
- *Front window defogger*
- *Interior lighting*
- *Forced air cooling system*
- *Stainless-steel front and back*
- *Stainless-steel counter*
- *Curtain door cover*
- *Stainless-steel containers (8 or 14) included*
- *Environment friendly R134a or R404A*

OPTIONAL:

- *Remote compressor*
- *Custom colour ABS sides*

MODEL	LENGTH	DEPTH	HEIGHT	VOLTAGE	WEIGHT
	In./cm	In./cm	In./cm		Lbs/Kg
EGIF 1	42 / 106	33 / 84	49 / 125	115V 60Hz 9A	260 / 118
EGIF 2	67 / 170	33 / 84	49 / 125	115V 60Hz 18A	390 / 177

* All equipment designed to operate in controlled environment below 75°F (+24°C) temperature and HR 55% relative humidity.

** All measurements are approximates

***Specifications are subject to change without notice

Web: www.igloorefrigeration.com