

IGLOO Refrigeration Ltd

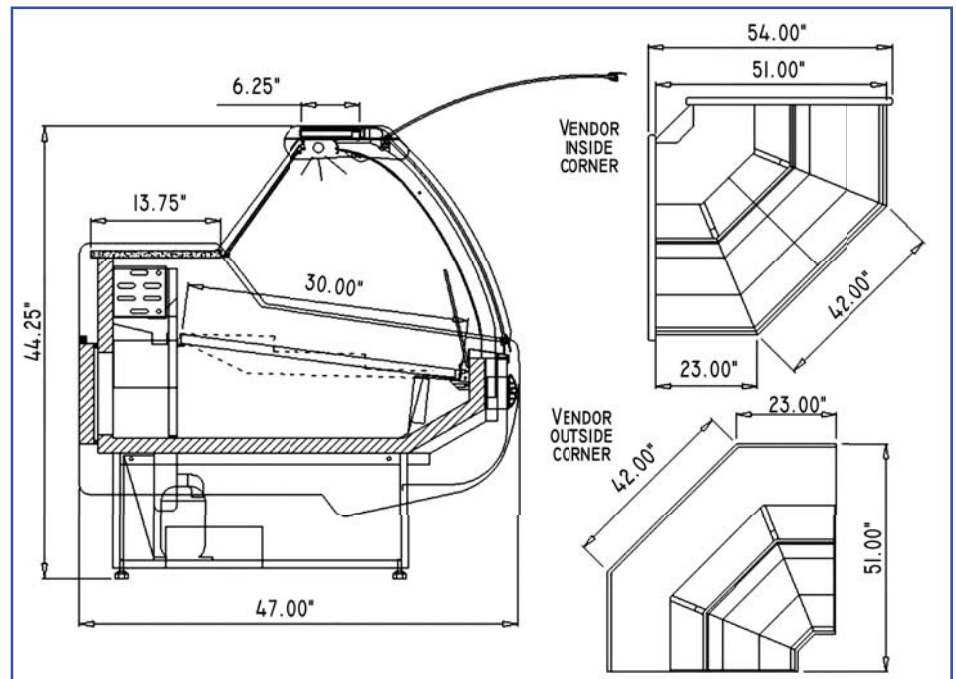
370 NORFINCH DRIVE TORONTO ONTARIO CANADA M3N 1Y4
TEL: 416.663.3051 TOLL FREE: 1.888.408.8819 FAX: 416.663.5793

REFRIGERATED MULTI PURPOSE DISPLAY CASE **CORNER UNIT FOR SAN AND SANF**



STANDARD:

- Curved glass front glass
- Remote compressor
- Forced air cooling
- Temperature range: 0 °C and up



* All equipment designed to operate in controlled environment below 75°F (+24°C) temperature and HR 55% relative humidity.

** All measurements are approximates

*** Specifications are subject to change without notice

Web: www.igloorefrigeration.com