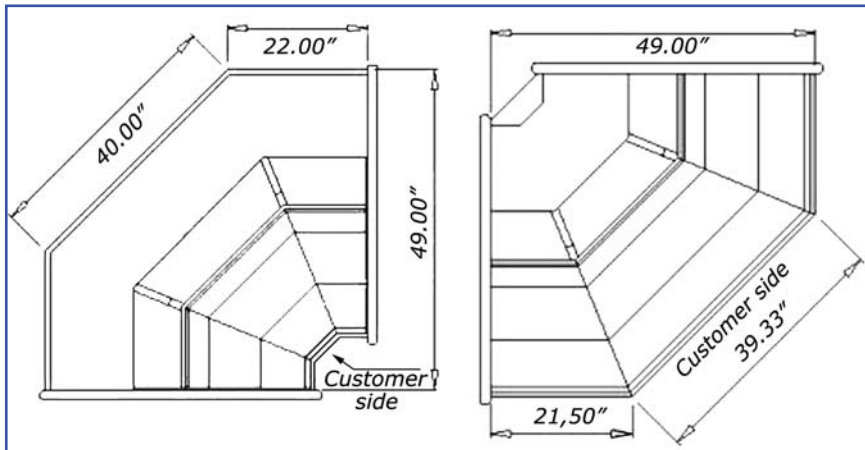
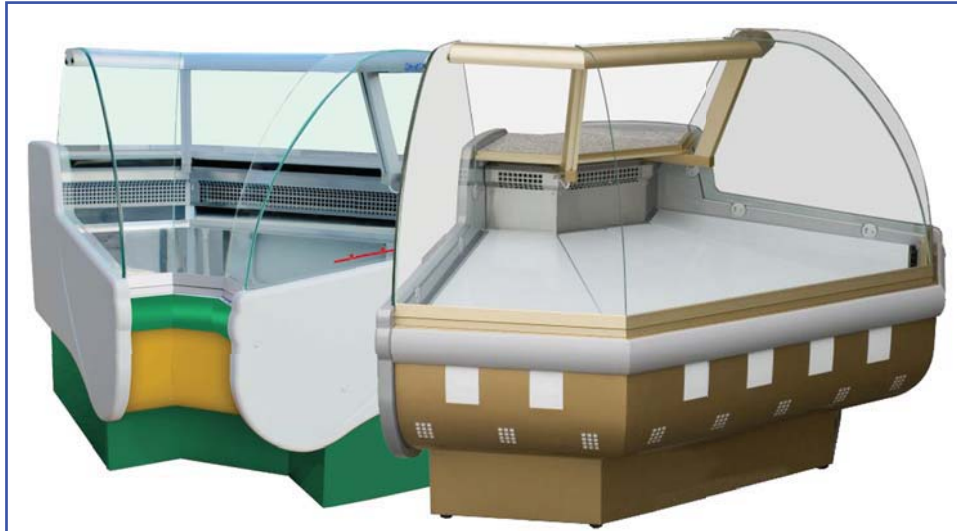


IGLOO Refrigeration Ltd

370 NORFINCH DRIVE TORONTO ONTARIO CANADA M3N 1Y4
 TEL: 416.663.3051 TOLL FREE: 1.888.408.8819 FAX: 416.663.5793

CORNER UNIT FOR REFRIGERATED SHOWCASE MODEL BSC, BSCF
MEAT, CHEESE, FISH, DELI, ETC...



STANDARD:

- Curved European style front glass
- Automatic defrost cycle
- Forced air cooling
- Digital temperature display
- Granite counter, specially treated for use with food
- Stainless-steel interior
- Interior lighting
- Environment friendly
R134a or R404A

MODEL	LENGTH	DEPTH	HEIGHT	VOLTAGE	WEIGHT
	In./cm	In./cm	In./cm		Lbs/Kg
BSC Corner	49 / 125	49 / 125	55 / 140	115V 60Hz 6A	290 / 130

* All equipment designed to operate in controlled environment below 75°F (+24°C) temperature and HR 55% relative humidity.

** All measurements are approximates

*** Specifications are subject to change without notice

Web: www.igloorefrigeration.com