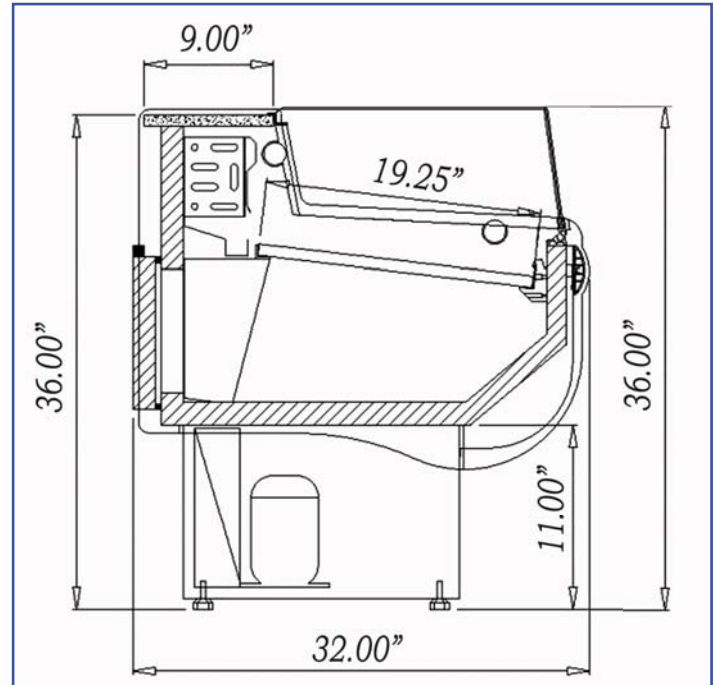


# IGLOO Refrigeration Ltd

370 NORFINCH DRIVE TORONTO ONTARIO CANADA M3N 1Y4  
 TEL: 416.663.3051 TOLL FREE: 1.888.408.8819 FAX: 416.663.5793

## MULTI PURPOSE, SLIM LINE, LOW GLASS (SELF-SERVE), REFRIGERATED DISPLAY CASE



### **STANDARD:**

- Front glass defogging system
- Stainless steel flat plates or steps, white wire shelves
- Refrigerated under shelves storage
- Top lighting system
- Digital temperature display
- Self contained
- Gravity cooling
- Temperature range: 0 °C and up
- Automatic defrost cycle
- Automatic condensation disposal
- Environment friendly R 134 a, R404A, R507A

### **OPTIONAL:**

- Stainless steel finish
- Variety of finished colours
- Remote compressor

MODEL	LENGTH	DEPTH	HEIGHT	VOLTAGE	WEIGHT
	In./cm	In./cm	In./cm		Lbs/Kg
<b>MLM 3</b>	41 / 105	32 / 83	35 / 89	115V 60Hz 8A	233 / 106
<b>MLM 4</b>	51 / 130	32 / 83	35 / 89	115V 60Hz 8A	270 / 123
<b>MLM 5</b>	59 / 150	32 / 83	35 / 89	115V 60Hz 8A	305 / 138
<b>MLM 6</b>	67 / 170	32 / 83	35 / 89	115V 60Hz 8A	334 / 151
<b>MLM 7</b>	80 / 200	32 / 83	35 / 89	115V 60Hz 8A	377 / 171
<b>MLM 8</b>	99 / 250	32 / 83	35 / 89	115V 60Hz 8A	427 / 194

\* All equipment designed to operate in controlled environment below 75°F (+24°C) temperature and HR 55% relative humidity.

\*\* All measurements are approximates

\*\*\* Specifications are subject to change without notice

**Web: [www.igloorefrigeration.com](http://www.igloorefrigeration.com)**