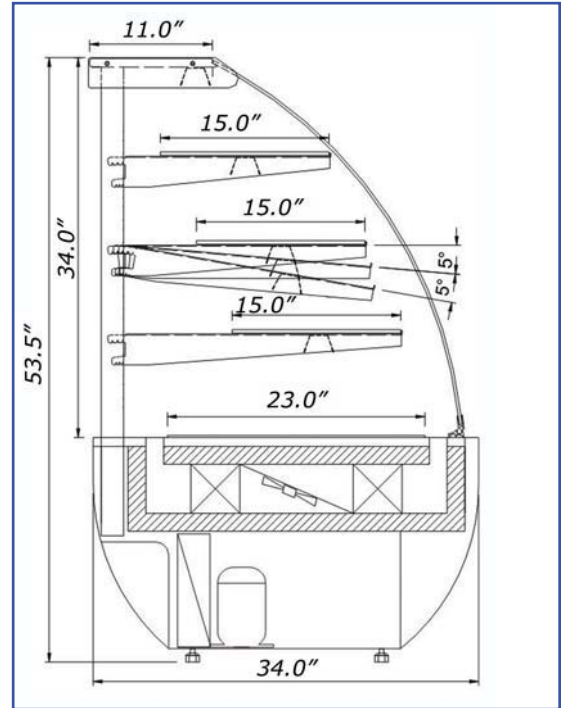


IGLOO Refrigeration Ltd

370 NORFINCH DRIVE TORONTO ONTARIO CANADA M3N 1Y4
 TEL: 416.663.3051 TOLL FREE: 1.888.408.8819 FAX: 416.663.5793

CURVED GLASS REFRIGERATED PASTRY CASE



STANDARD:

- Curved glass front glass
- Adjustable sloping shelves
- Self contained
- Forced air cooling
- Temperature range: 0 °C and up
- Automatic defrost cycle
- Automatic condensation disposal
- Environment friendly R 134 a

OPTIONAL:

- Stainless steel finish
- Painted white or black enamel finish
- Variety of wood finish
- Remote compressor
- Multiplexing

MODEL	LENGTH	DEPTH	HEIGHT	VOLTAGE	WEIGHT
	In./cm	In./cm	In./cm		Lbs/Kg
JMRP2	24 / 61	32 / 82	54 / 136	115V 60Hz 8A	260 / 118
JMRP3	36 / 92	32 / 82	54 / 136	115V 60Hz 8A	280 / 128
JMRP4	52 / 132	32 / 82	54 / 136	115V 60Hz 8A	480 / 218
JMRS2	24 / 61	32 / 82	54 / 136	115V 60Hz 8A	260 / 118
JMRS3	36 / 92	32 / 82	54 / 136	115V 60Hz 8A	280 / 128
JMRS4	52 / 132	32 / 82	54 / 136	115V 60Hz 8A	480 / 218
JMRW2	27.5 / 66	34 / 87	54 / 136	115V 60Hz 8A	260 / 118
JMRW3	39 / 100	34 / 87	54 / 136	115V 60Hz 8A	280 / 128
JMRW4	55 / 137	34 / 87	54 / 136	115V 60Hz 8A	480 / 218

* All equipment designed to operate in controlled environment below 75°F (+24°C) temperature and HR 55% relative humidity.

** All measurements are approximates

*** Specifications are subject to change without notice

Web: www.igloorefrigeration.com