

IGLOO Refrigeration Ltd

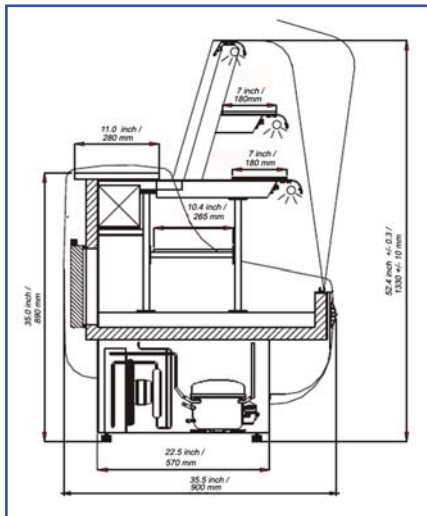
370 NORFINCH DRIVE TORONTO ONTARIO CANADA M3N 1Y4
 TEL: 416.663.3051 TOLL FREE: 1.888.408.8819 FAX: 416.663.5793

PASTRY CASE – SLIM LINE, REFRIGERATED AND DRY



STANDARD:

- Curved glass front glass
- Granite work counter
- Gold finished aluminium profiles
- Front and base gold finish
- Black bumper
- Stainless-steel pull out display drawer
- Interior lighting
- ABS sides –(brown)
- Automatic defrost cycle
- Automatic condensation disposal
- Digital temperature display
- Gravity cooling system on lower 2 shelves
- Upper 2 shelves non refrigerated
(for dry products)
- Environment friendly R 134a or R 404a



OPTIONAL:

- Remote compressor
- Variety of custom colours

MODEL	LENGTH	DEPTH	HEIGHT	VOLTAGE	WEIGHT
	In./cm	In./cm	In./cm		Lbs/Kg
BEPC3	39 / 99	35 / 90	55 / 140	115V 60Hz 6A	330 / 150
BEPC4	51 / 129	35 / 90	55 / 140	115V 60Hz 8A	400 / 182
BEPC5	63 / 160	35 / 90	55 / 140	115V 60Hz 8A	650 / 296
BEPC6	75 / 190	35 / 90	55 / 140	115V 60Hz 10A	750 / 342

- MATCHING CASH COUNTER AVAILABLE

*All equipment designed to operate in controlled environment below 75°F (+24°C) temperature and HR 55% relative humidity.

** All measurements are approximates

*** Specifications are subject to change without notice

Web: www.igloorefrigeration.com