

IGLOO Refrigeration Ltd

59 ALNESS STREET UNIT 3 TORONTO ONTARIO CANADA M3J 2H2
 TEL: 416.663.3051 TOLL FREE: 1.888.408.8819 FAX: 416.663.5793

REFRIGERATED MULTI PURPOSE DISPLAY CASE SELF CONTAINED OR REMOTE

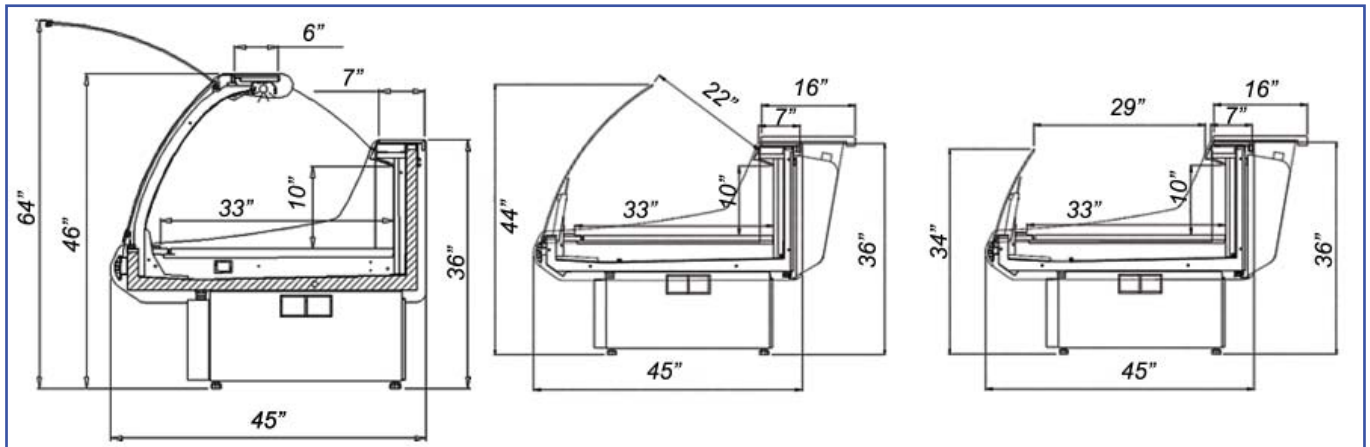


STANDARD:

- Curved glass front glass
- Remote compressor
- Forced air cooling
- Temperature range: 0 °C and up

OPTIONAL:

- Possibility of multiplexing
- Self served low profile open merchandiser
- Self contained case



MODEL	LENGTH	DEPTH	HEIGHT	VOLTAGE	WEIGHT
	In./cm	In./cm	In./cm		Lbs/Kg
• SELF CONTAINED UNITS					
GRDSC4	49 / 125	45 / 114	45 / 115	115V 60Hz 8A	380 / 175
GRDSC8	98 / 250	45 / 114	45 / 115	115V 60Hz 16A	760 / 345
• REMOTE UNITS					
GRDC4	49 / 125	45 / 114	45 / 115	115V 60Hz 1A	300 / 136
GRDC8	98 / 250	45 / 114	45 / 115	115V 60Hz 1A	580 / 263

* All equipment designed to operate in controlled environment below 75°F (+24°C) temperature and HR 55% relative humidity.

** All measurements are approximates

*** Specifications are subject to change without notice

Web: www.igloorefrigeration.com